



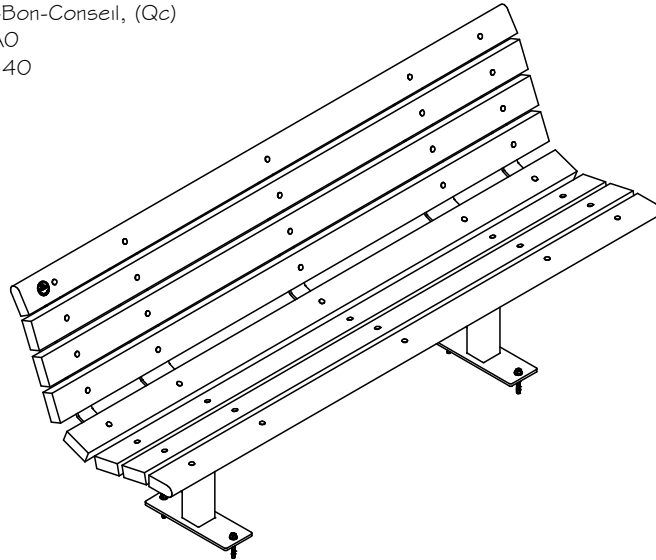
Cascades

Plastiques Cascades Re-Plast
1350, chemin quatre Saisons
Notre-Dame-du-Bon-Conseil, (Qc)
Canada, JOC 1A0
1-888-313-2440

Contour Series - 72" Bench

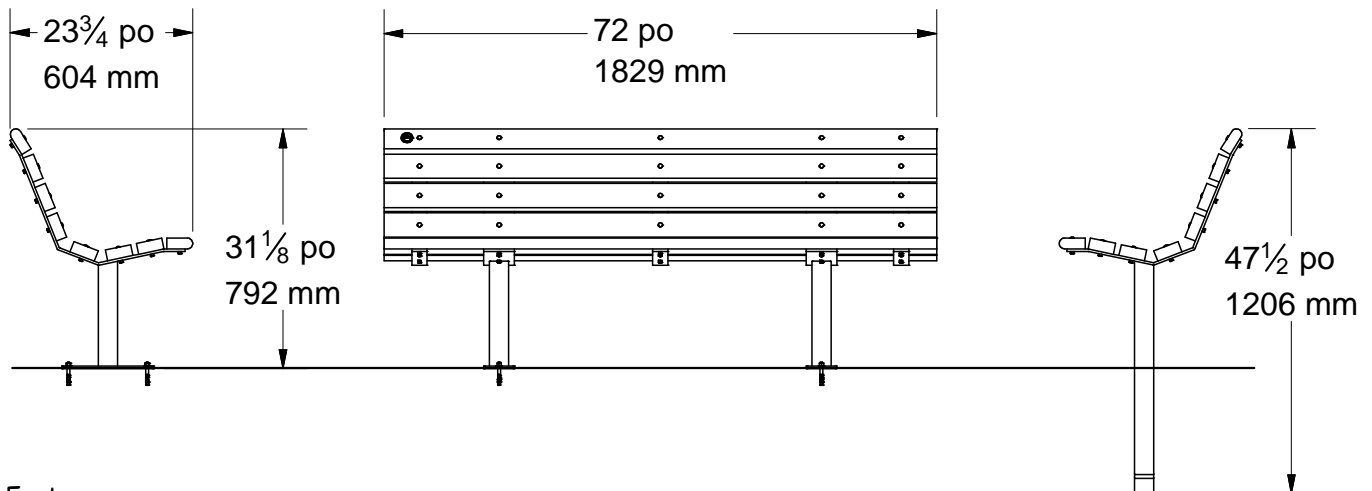
#23

Rev.: May 4th, 2011



Surface mounted

In-ground mounted



Features:

- The bench slat are made of **ULTRAPLAST™** recycled plastic and its structure is made of steel.
- The bench is made of 2" x 4" (37mm x 86mm) slats and 2" x 4" (37mm x 86mm) Bullnose slats.
- The structure is coated with our InfiGuard Professional anti-corrosion system coated with our "InfiGuard Professional" anti-corrosion system.
- Tubular steel legs, 2 1/2" x 2 1/2" (67mm x 67mm).
- Flat steel seat reinforcement, 5/16" x 2" (8mm x 51mm).
- Stainless steel hardware.
- Hardware visible or invisible.
- Stainless steel standard anchor.
- Shipped ready to be assembled.

Standard installation details:

- Surface mounted.
- In-ground mounted.

Options:

- Stainless steel anti-theft hardware.
- Stainless steel anti-theft anchor.
- Armrest.
- Factory assembled.

Weight: 156 lb.